

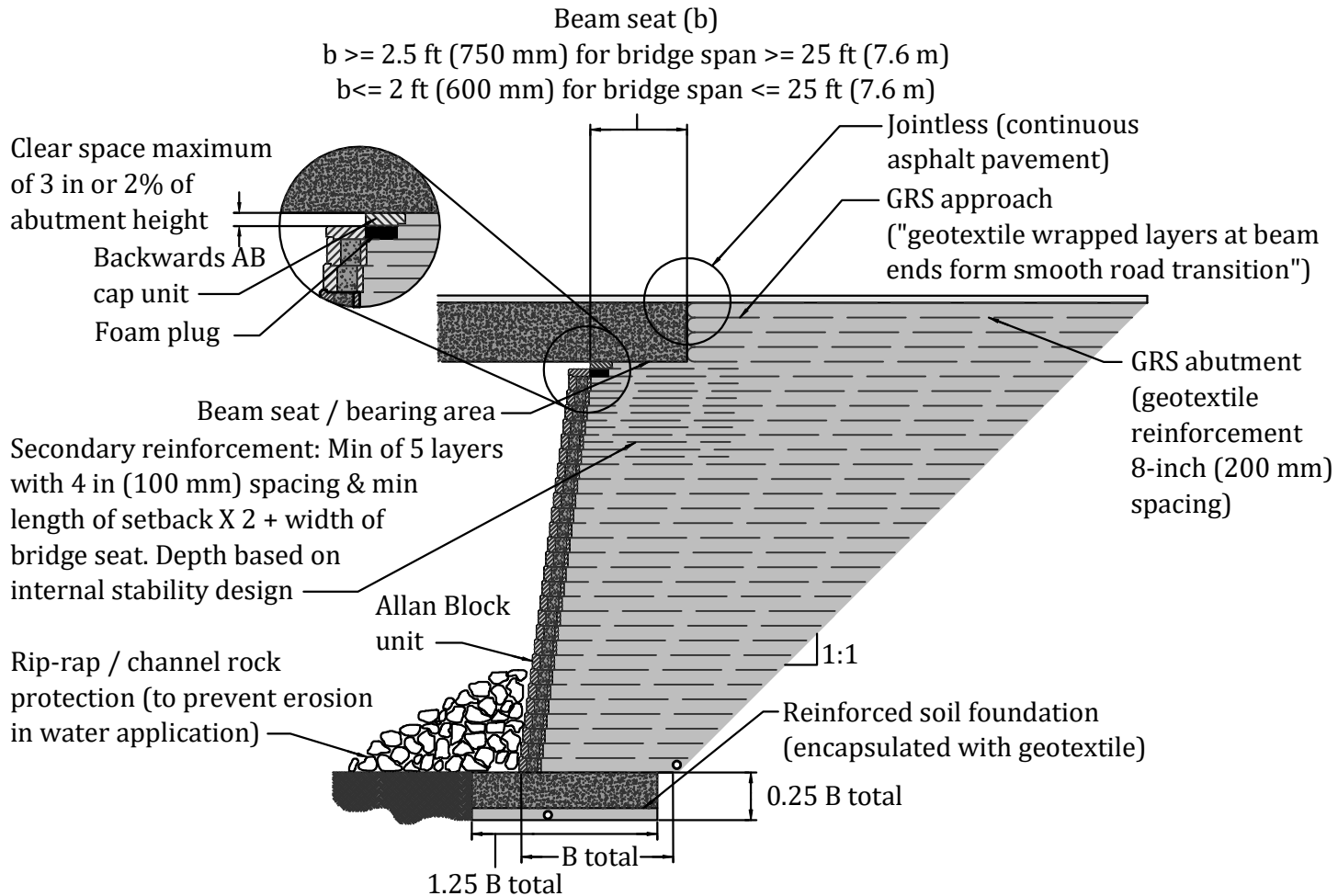
Note: B total = length of first course of geotextile

B total = 0.3 H or B total = 6 ft (1.8 m) for bridge span \geq 25 ft (7.6 m)

B total = 5 ft (1.5 m) for bridge span \leq 25 ft (7.6 m) (whichever is greater)

Designer's note: clear space dimensions and provided equations are found in the FHWA manual (FHWA-HRT-027).

All are subject to change for a site specific design by licenced design professional.



Designed By:

Title:

AB-23 IBS-GRS

Date:

Checked By:



ALLAN
BLOCK
allanblock.com

The purpose of this drawing is for preliminary design only. This should not be used for final design or construction without the certification of a professional engineer registered in the state in which the wall will be built. The accuracy and use of details contained in this document are the sole responsibility of the user. The user must verify each detail for accuracy as they pertain to their particular project.

Project No:

Scale:

Not to Scale

Drawing No:

© 2021 Allan Block